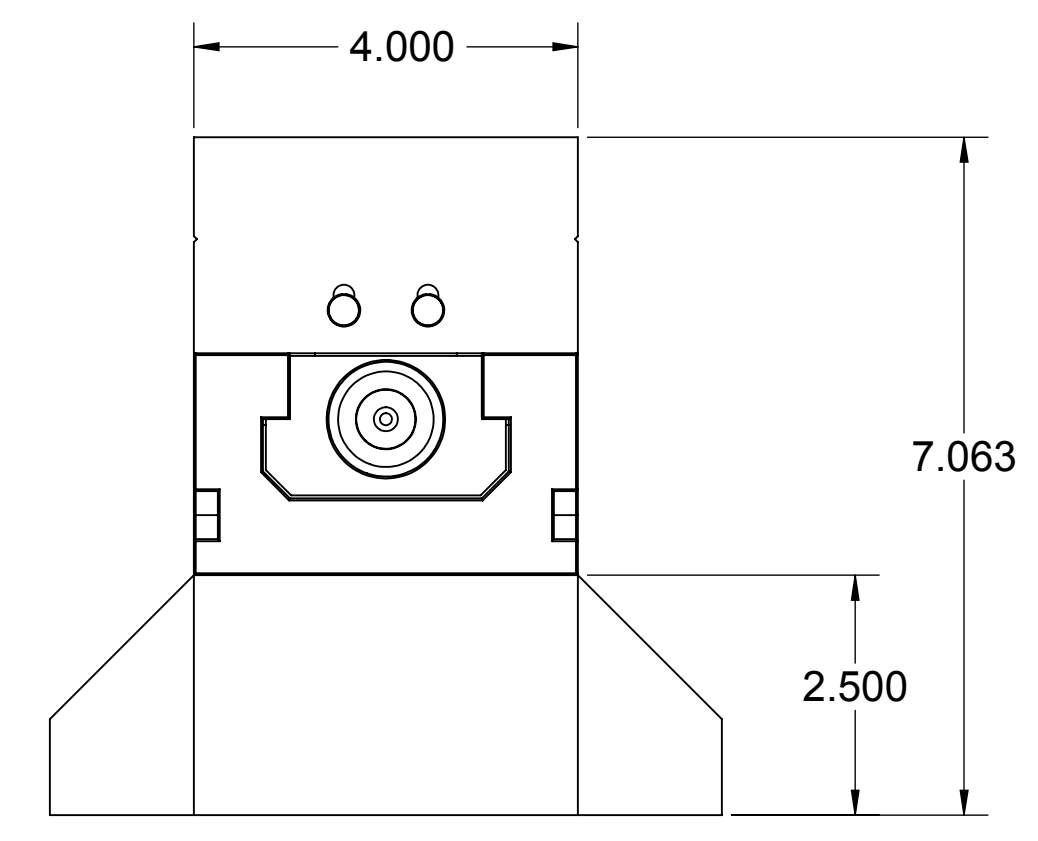
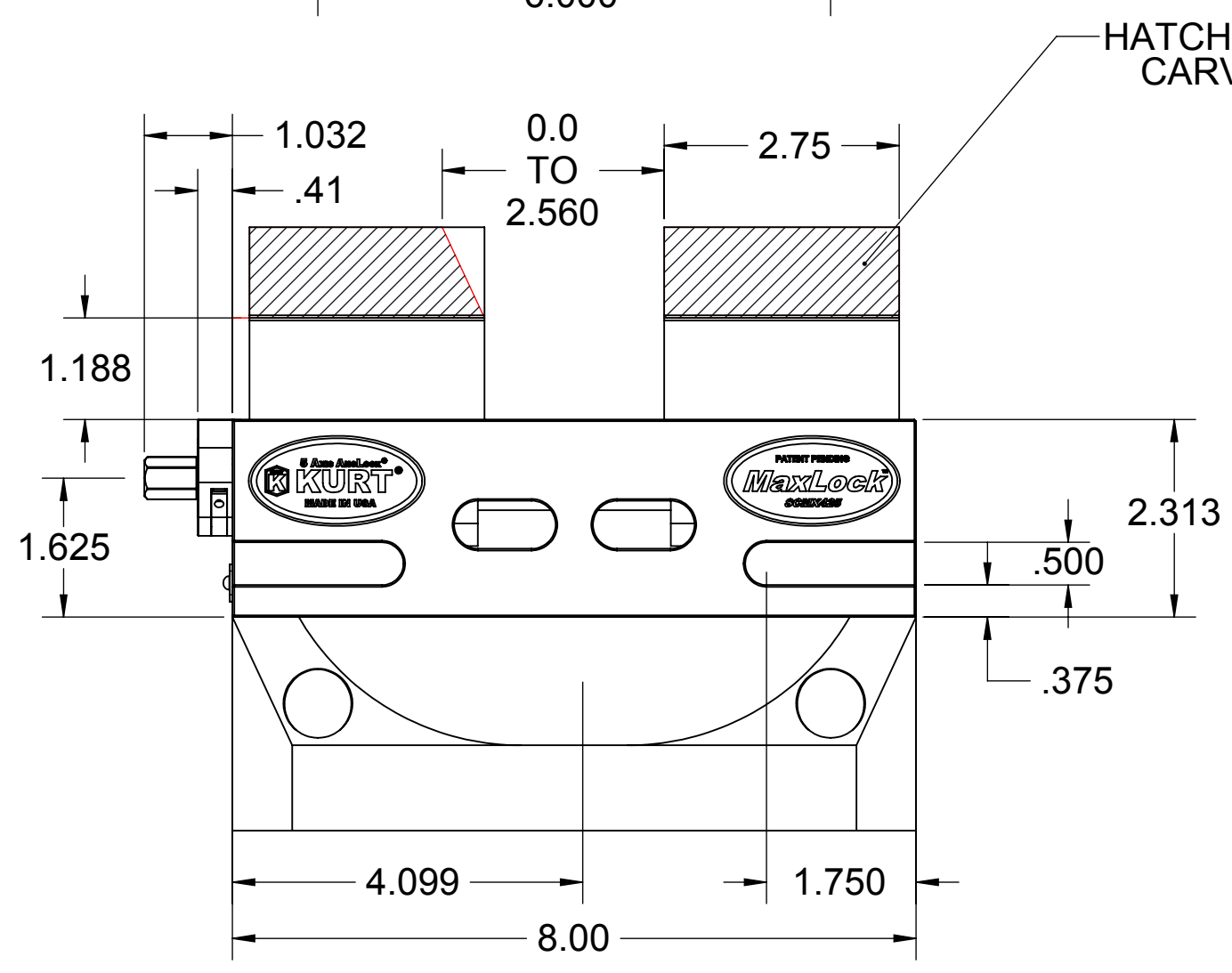
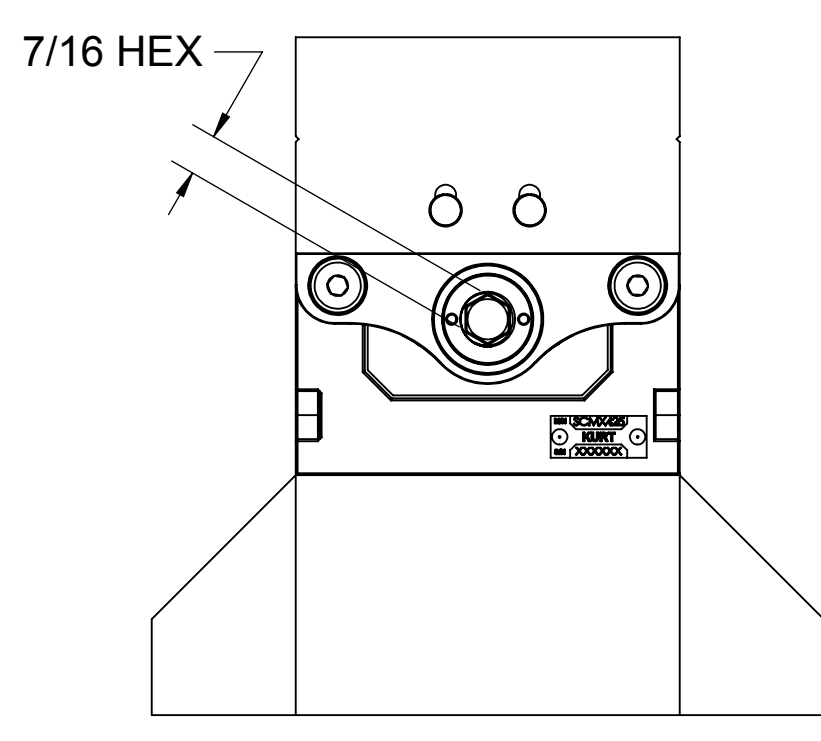
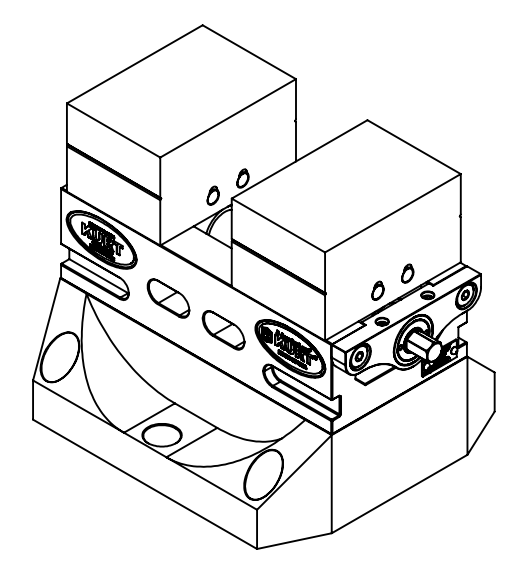
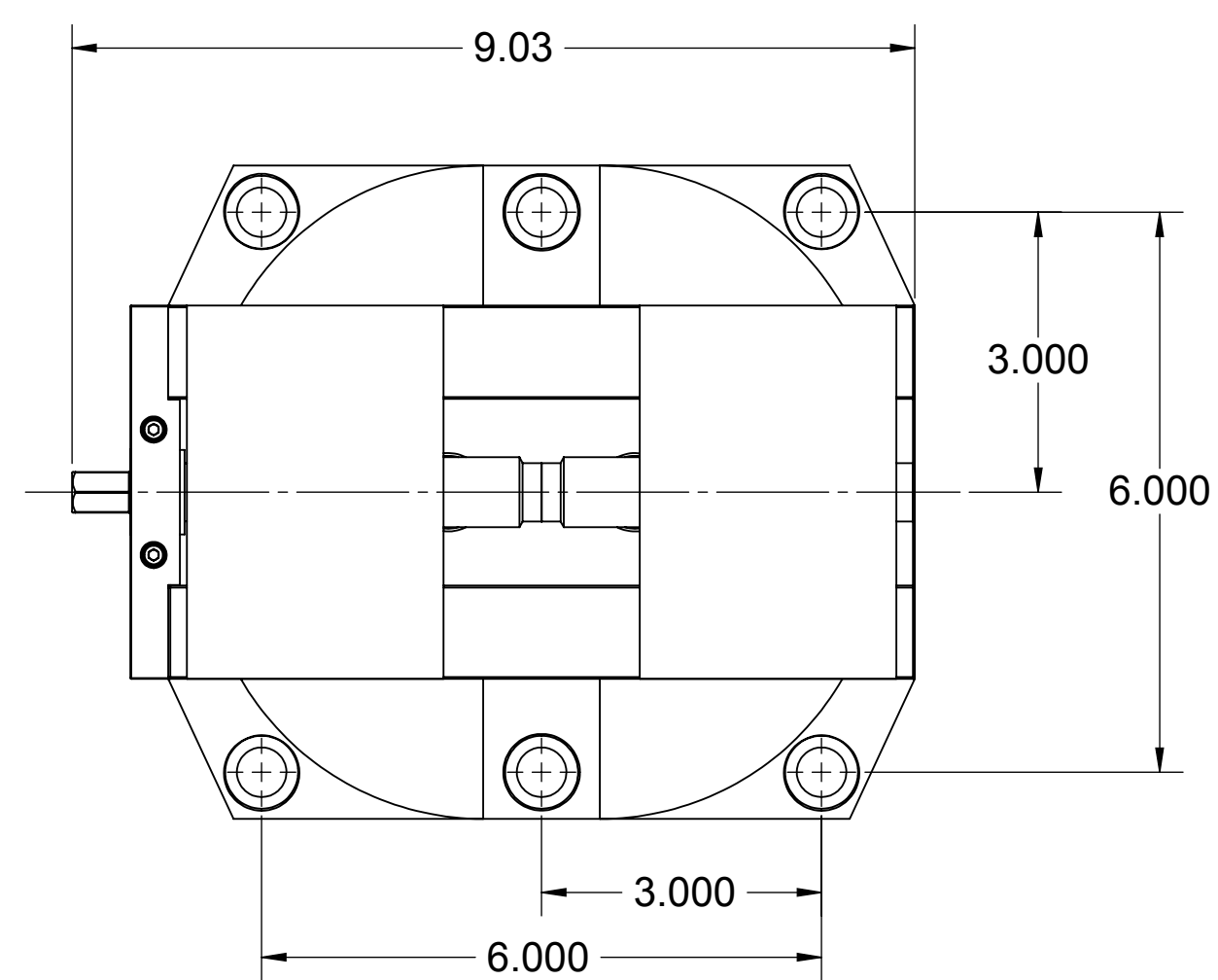
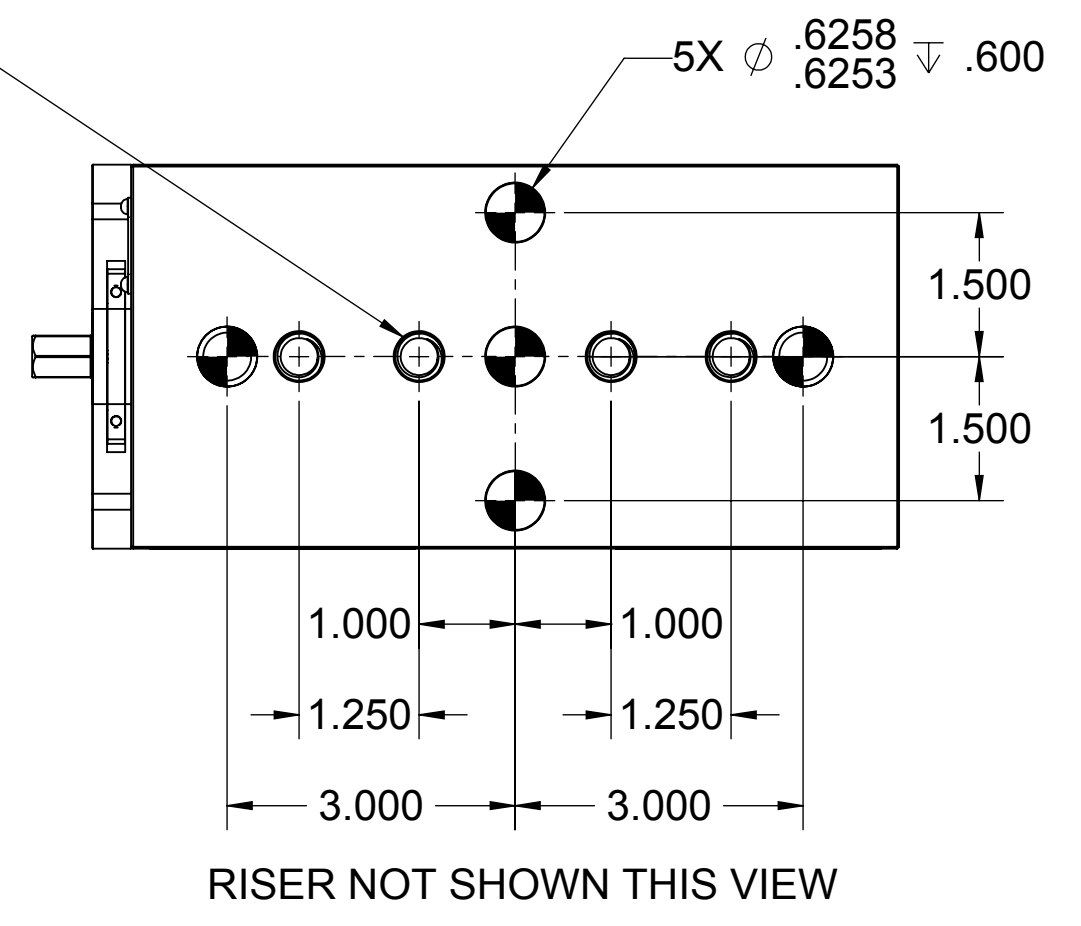


REV	ECO	DESCRIPTION	DATE	BY
A		RELEASED	06/10/2011	IK
E	V4057	SEE ECO	10-9-15	DLS
F	V4100	SEE ECO	6-24-16	DLS
H	V4139	SEE ECO	11-6-16	DLS



(4X) C'BORED FOR A LOW HEAD 1/2 SHCS



Q:\Product Drawings-CAD\1Vise\MaxLock Vise\SCMX425 new centering device 7-27-16

 TOLERANCES UNLESS NOTED INCHES DECIMAL .X ± .05 .XXXX ± .0005 .XX ± .02 ANGLES ± 1° .XXX ± .005	TOOL NAME SCMX425	MODEL OF TOOL -
	TITLE CATALOG DRAWINGS	DWG. SIZE C
DESIGNED D.SCHMIDT	DATE 9-06-11	CUSTOMER SCMX425
DETAILED D.SCHMIDT	DATE 9-06-11	CUSTOMER PART NO. SCMX425
CHECKED -	DESCRIPTION OR MATERIAL SEE DRAWING	TOOL NO. -
APPROVED -		SCALE 1:2
		SHEET 1 OF 1